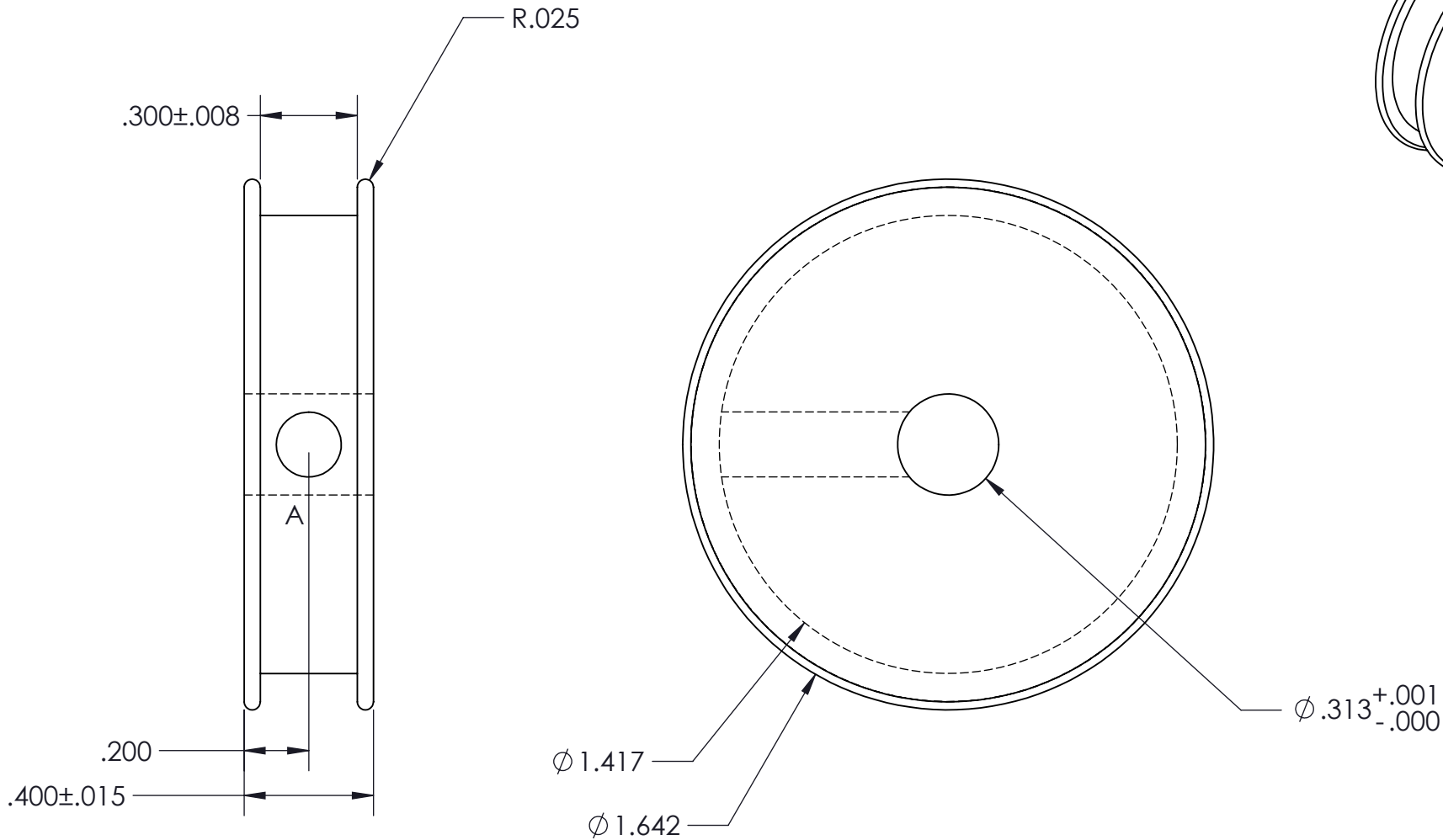


DRILL CHART

A=1/4-20 TAP TO CENTER



THE INFORMATION CONTAINED IN THIS DRAWING IS THE SOLE PROPERTY OF CONVEYOR TECHNOLOGIES LLC. ANY REPRODUCTION IN PART OR WHOLE WITHOUT THE WRITTEN PERMISSION OF CONVEYOR TECHNOLOGIES LLC IS PROHIBITED.

Part Number: 8108		Part Description: MOTOR DRIVE PULLEY 12.5 GEARHEAD			Finish: SWECO		Primary Units: Inch/Degrees Tolerances, unless otherwise specified:																					
Revision: 002	Last Rev Date:	Scale: 2:1	Material Description: ALR-1010 ALUM ROUND 1.75" DIA X 12'			Engineer: JULIAN	Initial Date: 3/15/2018	<table border="1"> <tr> <td colspan="2">ANGULAR:</td> <td colspan="2">±2°</td> </tr> <tr> <td colspan="2">INCHES:</td> <td colspan="2">MM:</td> </tr> <tr> <td>.XX</td> <td>±0.01</td> <td>X</td> <td>±2.5</td> </tr> <tr> <td>.XXX</td> <td>±0.005</td> <td>.X</td> <td>±0.25</td> </tr> <tr> <td>XXXX</td> <td>±0.0005</td> <td>.XX</td> <td>±0.13</td> </tr> </table>	ANGULAR:		±2°		INCHES:		MM:		.XX	±0.01	X	±2.5	.XXX	±0.005	.X	±0.25	XXXX	±0.0005	.XX	±0.13
ANGULAR:		±2°																										
INCHES:		MM:																										
.XX	±0.01	X	±2.5																									
.XXX	±0.005	.X	±0.25																									
XXXX	±0.0005	.XX	±0.13																									