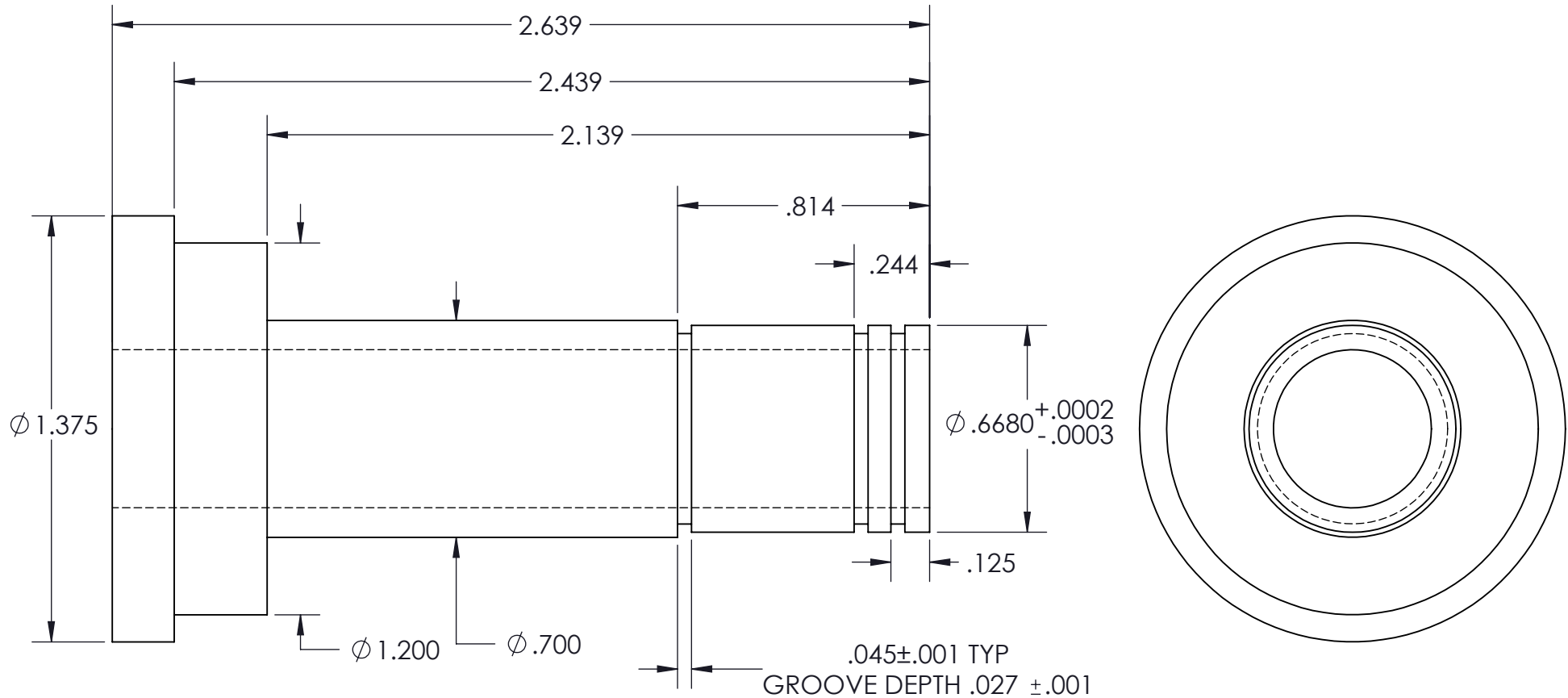


DRILL CHART

A=



P/N 23009 FOR KNURLED VERSION

THE INFORMATION CONTAINED IN THIS DRAWING IS THE SOLE PROPERTY OF CONVEYOR TECHNOLOGIES, LLC. ANY REPRODUCTION IN PART OR WHOLE WITHOUT THE WRITTEN PERMISSION OF CONVEYOR TECHNOLOGIES, LLC IS PROHIBITED.

Part Number: 19888		Part Description: ADJ DRIVE PULLEY, 1.2 OD, .614 ID			Finish: BLACK OXIDE		Primary Units: Inch/Degrees Tolerances, unless otherwise specified:																					
Revision: 003	Last Rev Date:	Scale: 2:1	Material Description: 11471 ALUM. EXTRU. SPLINE BODY, 84"		Engineer: BD	Initial Date: 3/15/2018		<table border="1"> <tr> <td colspan="2">ANGULAR:</td> <td colspan="2">±2°</td> </tr> <tr> <td colspan="2">INCHES:</td> <td colspan="2">MM:</td> </tr> <tr> <td>.XX</td> <td>±0.01</td> <td>X</td> <td>±2.5</td> </tr> <tr> <td>.XXX</td> <td>±0.005</td> <td>.X</td> <td>±0.25</td> </tr> <tr> <td>XXXX</td> <td>±0.0005</td> <td>.XX</td> <td>±0.13</td> </tr> </table>	ANGULAR:		±2°		INCHES:		MM:		.XX	±0.01	X	±2.5	.XXX	±0.005	.X	±0.25	XXXX	±0.0005	.XX	±0.13
ANGULAR:		±2°																										
INCHES:		MM:																										
.XX	±0.01	X	±2.5																									
.XXX	±0.005	.X	±0.25																									
XXXX	±0.0005	.XX	±0.13																									